

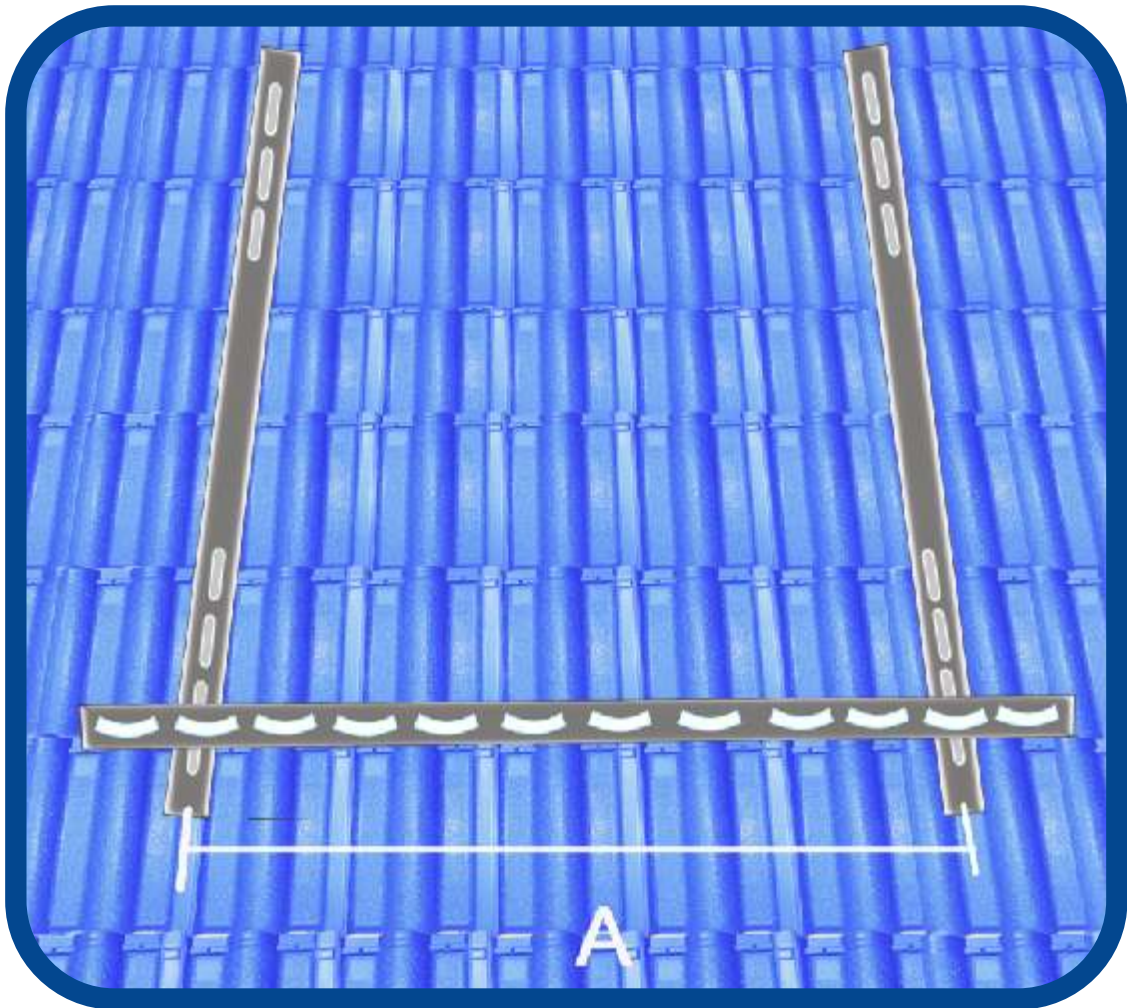


Greenland Systems Pty. Ltd.  
Installation Instruction Manual  
for Solar Collectors:

GL100-16, GLX100-16 and  
GL100-12, GLX100-12

Greenland Systems Solar Collector Installation Instructions Manual

Greenland Systems Pty Ltd  
Ph: +61 3 9248 2900  
[www.greenlandsystems.com](http://www.greenlandsystems.com)  
[www.greenlandsystems.com.au](http://www.greenlandsystems.com.au)



### **Greenland Systems Spacing of Vertical U-Channels**

Note:

Vertical U-channels (running parallel to the glass tubes) have to be installed symmetrically relative to the bottom tube support.

Adjust the space between the two U-channels:

GL100-16, GLX100-16

A: Min. 1,100 mm / Max. 1,700mm

GL100-12, GLX100-12

A: Min. 800 mm / Max. 1,300mm

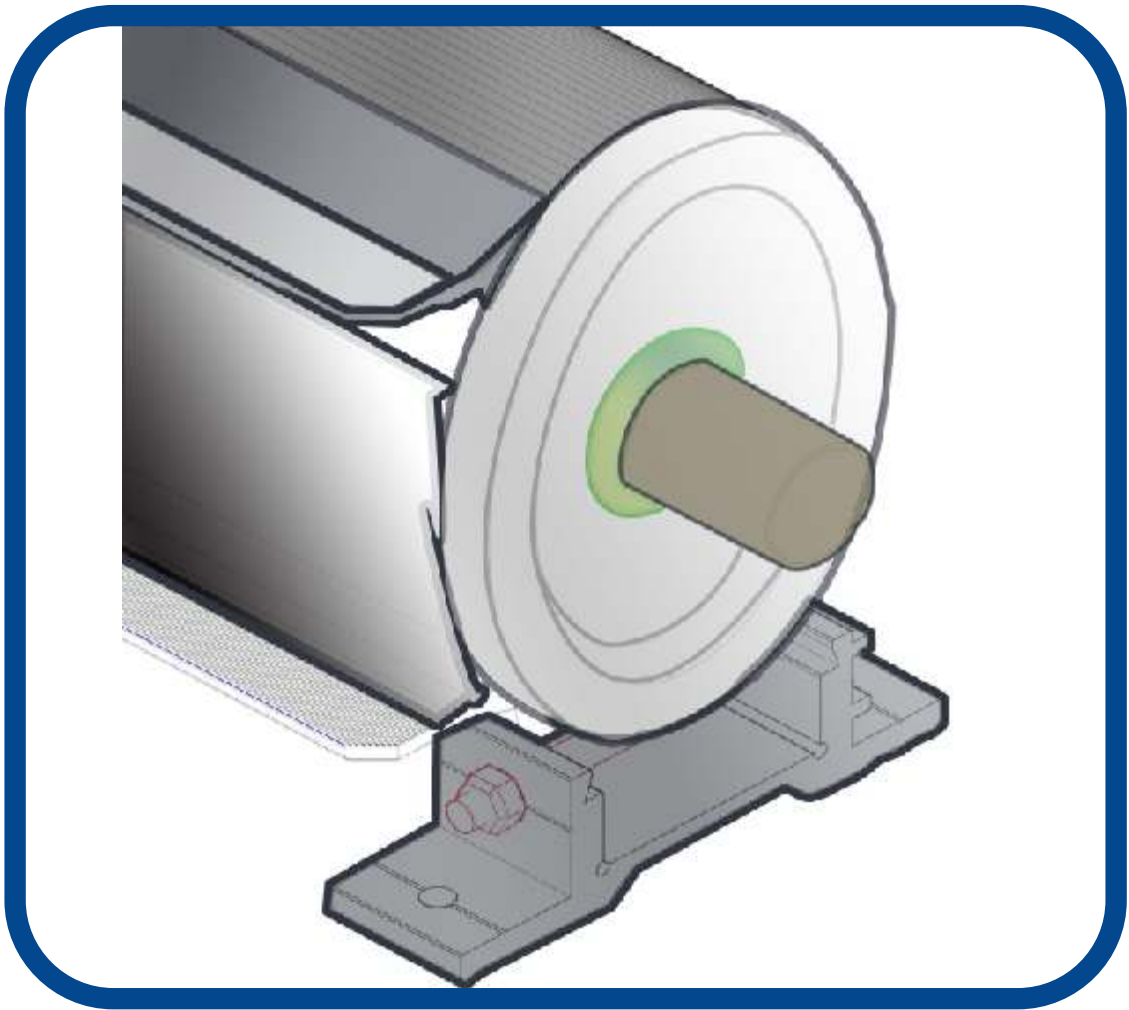
Greenland Systems Solar Collector Installation Instructions Manual

Greenland Systems Pty Ltd

Ph: +61 3 9248 2900

[www.greenlandsystems.com](http://www.greenlandsystems.com)

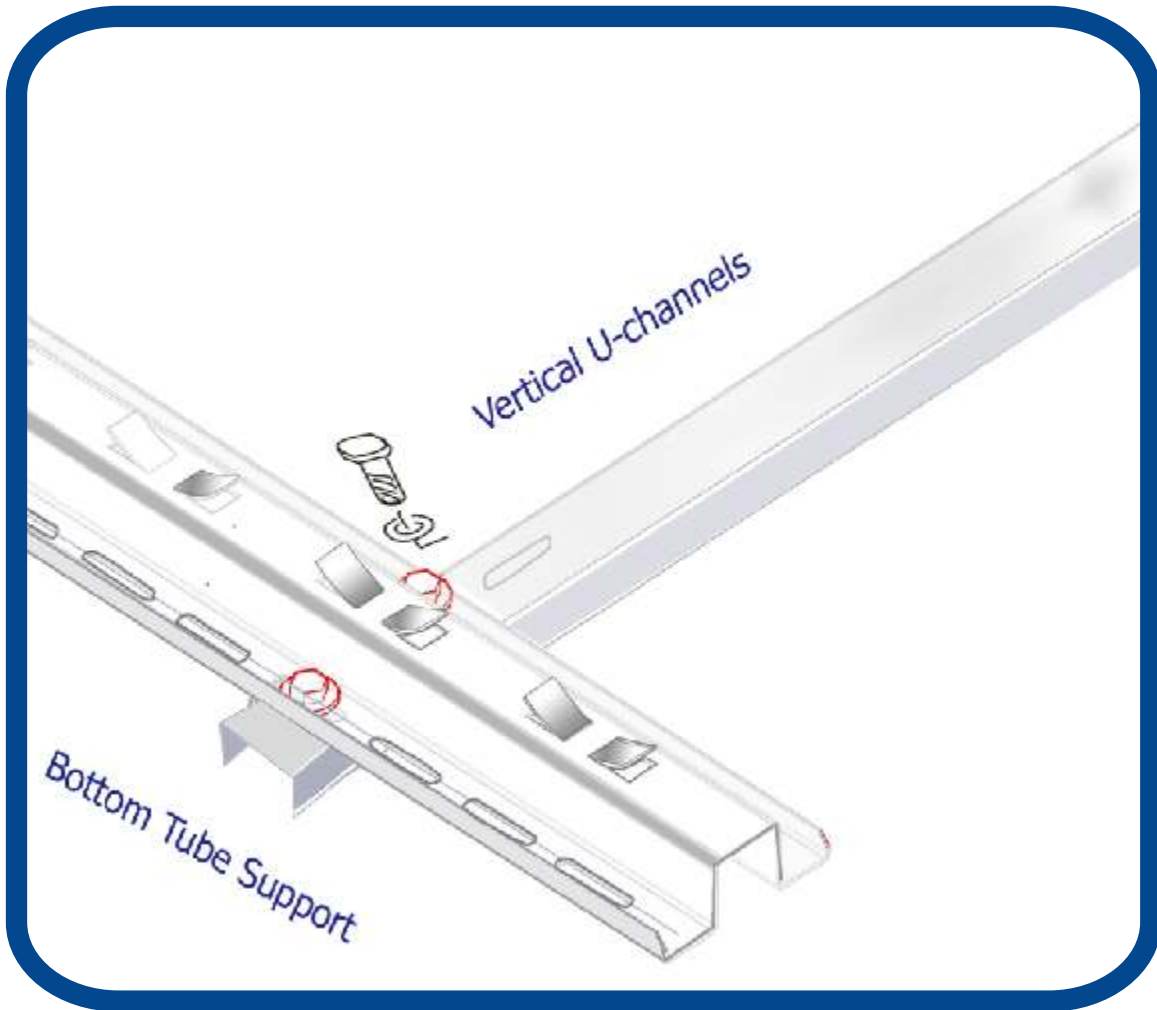
[www.greenlandsystems.com.au](http://www.greenlandsystems.com.au)



Attach the brackets to the header box. Adjust the brackets position to align with the vertical U-Channels.

Greenland Systems Solar Collector Installation Instructions Manual

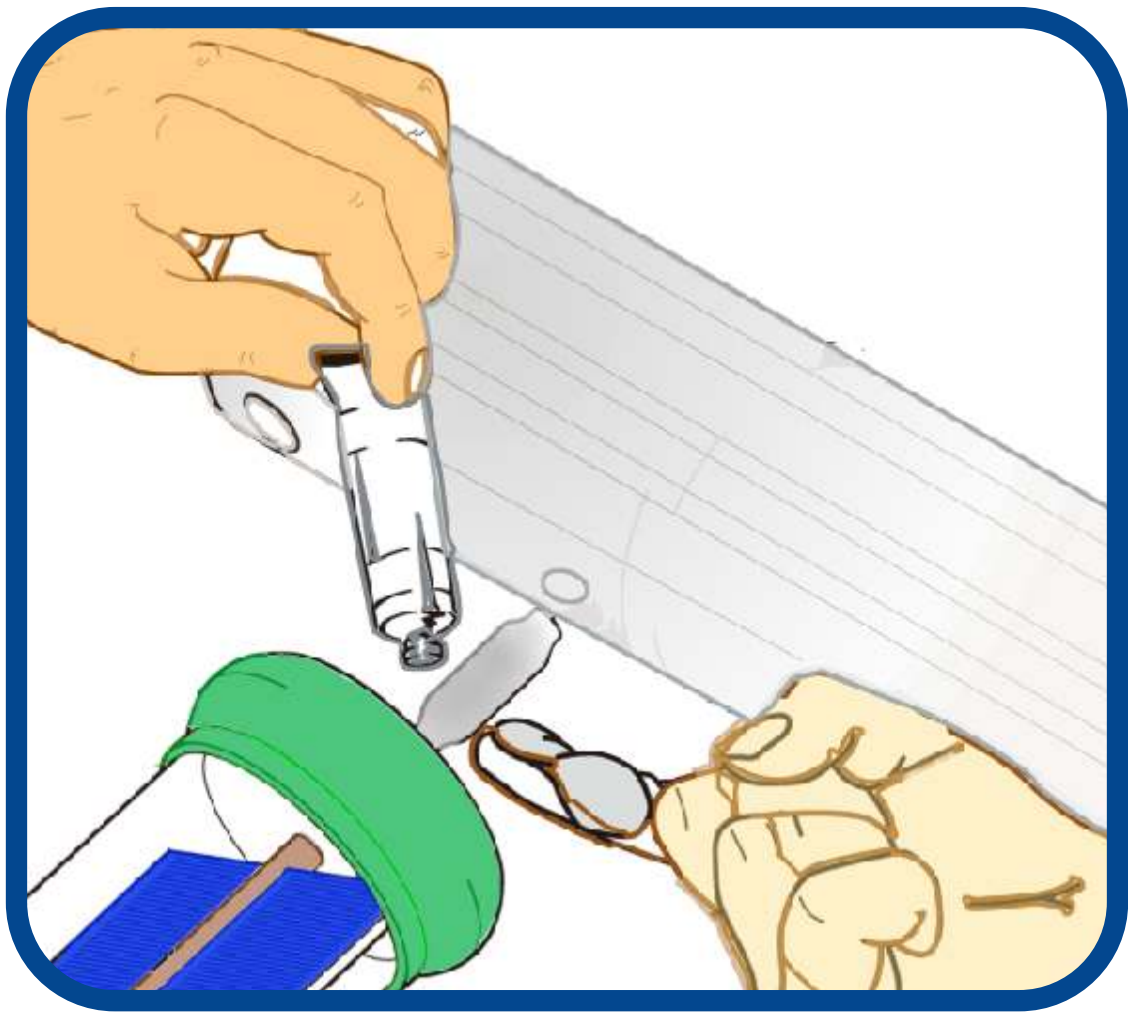
Greenland Systems Pty Ltd  
Ph: +61 3 9248 2900  
[www.greenlandsystems.com](http://www.greenlandsystems.com)  
[www.greenlandsystems.com.au](http://www.greenlandsystems.com.au)



Secure the two U-channels to the installation platform ( e.g. to the roof ). Then attach the Bottom Tube Support with the M8 Stainless Steel bolts, SS M8 hex nuts and 8 mm flat washers ( all supplied with the collector ) to the Vertical U-Channels.

Greenland Systems Solar Collector Installation Instructions Manual

Greenland Systems Pty Ltd  
Ph: +61 3 9248 2900  
[www.greenlandsystems.com](http://www.greenlandsystems.com)  
[www.greenlandsystems.com.au](http://www.greenlandsystems.com.au)



**NOTE:** Connect collector to pressurised water lines and check for any leakages

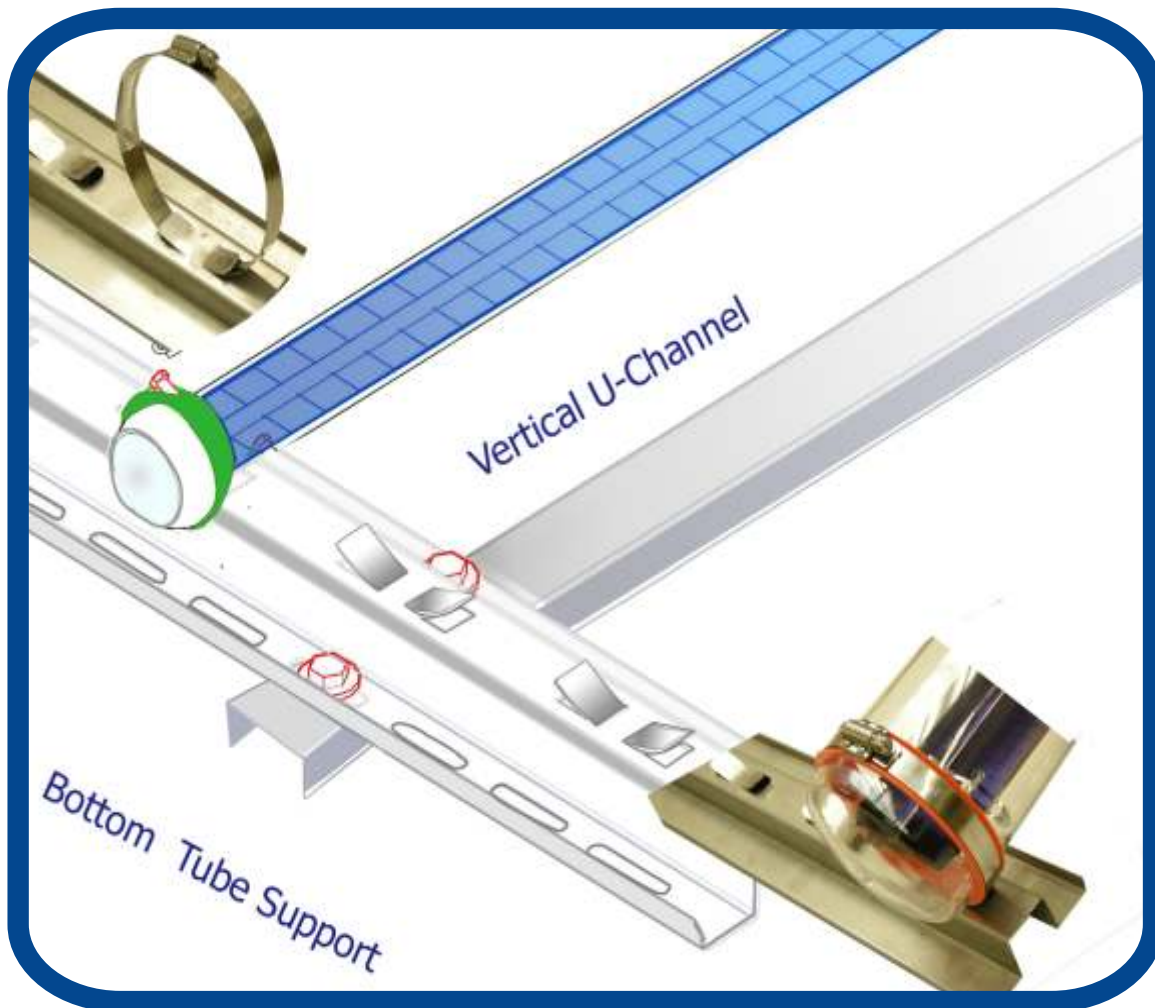
Apply a thin layer of heat transfer paste ( supplied ) onto each of the tube condensers and into each of the condenser pockets in the header box.

Do not use third-party heat transfer paste !

Insert each vacuum tube into the matching condenser pocket and attach the tube to the bottom tube support ( see next page )

Greenland Systems Solar Collector Installation Instructions Manual

Greenland Systems Pty Ltd  
Ph: +61 3 9248 2900  
[www.greenlandsystems.com](http://www.greenlandsystems.com)  
[www.greenlandsystems.com.au](http://www.greenlandsystems.com.au)



Install the Stainless steel clamp

Greenland Systems Solar Collector Installation Instructions Manual

Greenland Systems Pty Ltd  
Ph: +61 3 9248 2900  
[www.greenlandsystems.com](http://www.greenlandsystems.com)  
[www.greenlandsystems.com.au](http://www.greenlandsystems.com.au)